

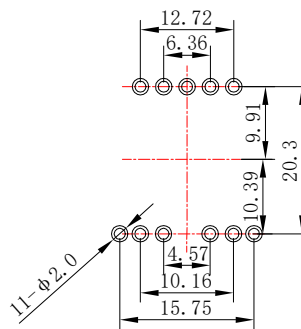
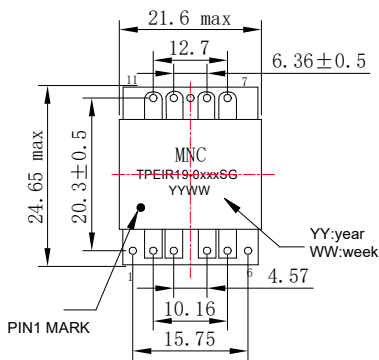
- Power range: 150W input voltage 36v~57v
- Topology :Forward converter . Half/full bridge . Active clamp
- Switching frequency: 200kHz to 700kHz optimized
- Isolation voltage: 1500VDC
- Operating temp: -40°C to 125°C
- Low profile height of: 10.5mm (adjustable)
- Lead free and RoHS compliant
- Applications : POE Power、IP phone、Surveillance camera、Wireless AP、LOT



Electrical Specifications @25°C

Part Number	Turns				OCL(μH) @100KHz,1V 2-5(3+4)	LK(μH Max) @100KHz,1.0V 2-5(3+4) (short 1+6+7+8+10+11)	DCR (mΩ Max)			Schematic
	Pri A	Pri B	AUX	Secondary			Pri A	Pri B	Secondary	
TPEIR19-0150SG	4Ts	4Ts	5Ts	1Ts&1Ts	153 MIN	0.80	5.50	5.50	1.1 & 1.1	A1
TPEIR19-0198SG	4Ts	5Ts	4Ts	4Ts&4Ts	194 MIN	0.55	5.50	9.50	9.5 & 9.5	A1
TPEIR19-0199SG	5Ts	6Ts	4Ts	4Ts&4Ts	290 MIN	0.60	12.5	14.2	9.5 & 9.5	A1
TPEIR19-0200SG	6Ts	6Ts	5Ts	4Ts&4Ts	345 MIN	0.65	14.2	14.2	9.5 & 9.5	A1
TPEIR19-0201SG	4Ts	5Ts	5Ts	1Ts&1Ts	194 MIN	0.80	8.50	12.5	1.0 & 1.0	A1
TPEIR19-0202SG	5Ts	6Ts	5Ts	1Ts&1Ts	290 MIN	1.20	12.5	14.2	1.0 & 1.0	A1
TPEIR19-0203SG	6Ts	6Ts	5Ts	1Ts&1Ts	345 MIN	1.20	14.2	14.2	1.0 & 1.0	A1
TPEIR19-0204SG	4Ts	4Ts	4Ts	2Ts&1Ts	153 MIN	0.45	8.50	8.50	2.0 & 1.2	A2
TPEIR19-0205SG	4Ts	5Ts	5Ts	2Ts&1Ts	194 MIN	0.55	8.50	12.5	2.0 & 1.2	A2
TPEIR19-0206SG	5Ts	5Ts	5Ts	2Ts&1Ts	240 MIN	0.55	12.5	12.5	2.0 & 1.2	A2
TPEIR19-0207SG	5Ts	6Ts	5Ts	2Ts&1Ts	290 MIN	0.85	12.5	12.5	2.0 & 1.2	A2
TPEIR19-0208SG	6Ts	6Ts	5Ts	2Ts&1Ts	345 MIN	0.85	14.2	14.2	2.0 & 1.2	A2

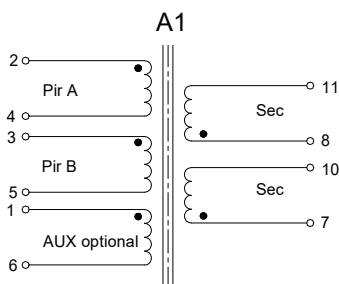
MECHANICAL DIMENSIONS (mm)



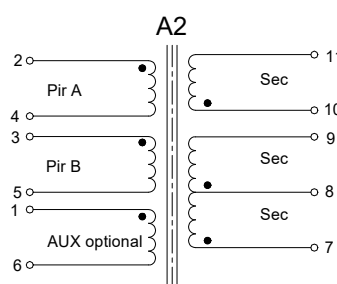
SUGGESTED PAD LAYOUT

● Unless otherwise specified all tolerances are:±0.3 mm

SCHEMATICS



● Start Winding



● Start Winding

Description:When using Pin3-4 short