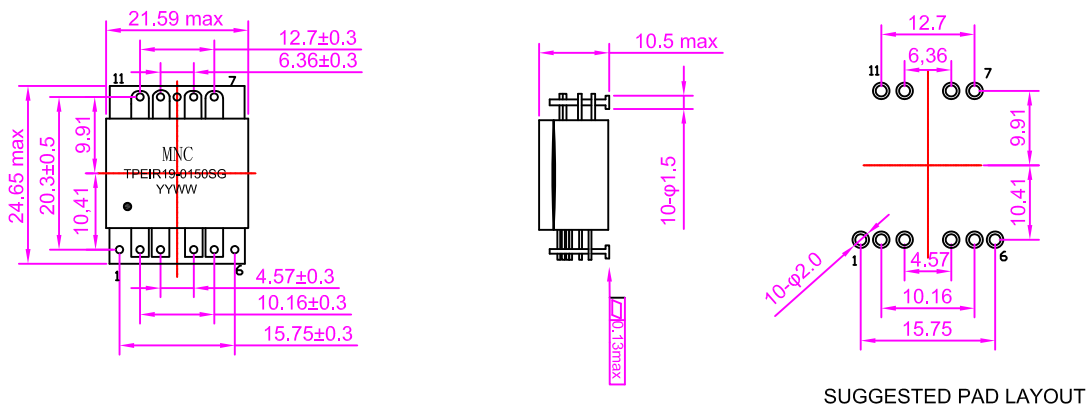


- IEC60950 Compliant.
- RoHS Compliant.
- Surface Mount Device.
- Operating temperature range (Including self temperature rise): -40 °C to +125 °C.



| Application                     |                       |                           |                                |                    |                    |               |         |
|---------------------------------|-----------------------|---------------------------|--------------------------------|--------------------|--------------------|---------------|---------|
| Output Power (W)                | Work Frequency (KHz)  | Circuit topology          | Input Voltage (V)              | Output Voltage (V) | Output Current (A) |               |         |
| 25~50                           | 200                   | Forward with active clamp | 40~56                          | 5                  | 10                 |               |         |
| Electrical Specifications @25°C |                       |                           |                                |                    |                    |               |         |
| Part Number                     | Turns Ratio(±3%)      | OCL(uH min)<br>@100KHz,1V | LK(uH max)<br>@100KHz,1.0V     | DCR (mΩ max)       |                    | HI-POT (Vrms) |         |
|                                 | 2-4:3-5:7-10:8-11:1-6 | 2-5(3+4)                  | 2-5(3+4)<br>(short other pins) | 2-4/3-5            | 7-10/8-11          | 1-6           | Pri-Sec |
| TPEIR19-0150SG                  | 4:4:1:1:5             | 153                       | 0.8                            | 5.5                | 1.2                | 200           | 2250Vdc |

## SCHEMATICS DIMENSIONS



Unless otherwise specified all tolerances are:±0.25 in mm

## SCHEMATICS

