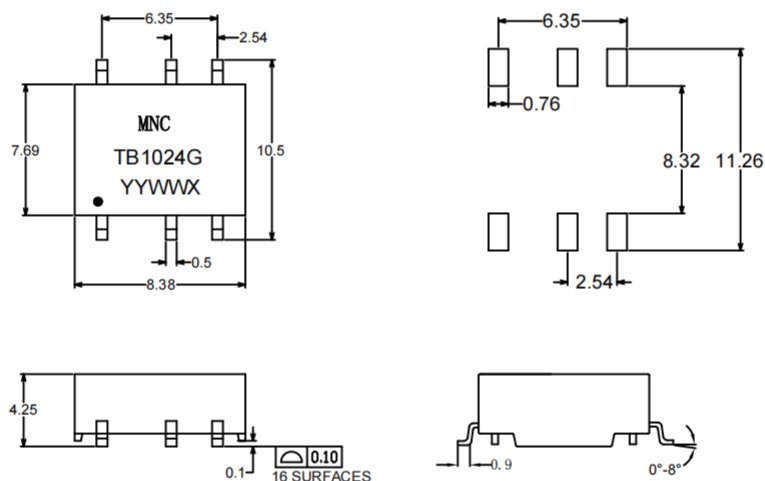


- SMT Package contains transmit transformers.
- Models matched to leading transceivers.
- RoHS Compliance.
- Operating Temperature Range: -40°C TO 150°C.
- AEC-Q200 Qualified.
- 1000V For 10 Years Operation.



Electrical Specifications @ 25°C												
Part Number	Turns Ratio (±2%)	OCL(uH Min) @100KHz,0.1V	LK (uH Max)	Insertion Loss (dB Max)			Return Loss (dB Min)			DCR (Ω max)@25°C		HI-POT
	(2-3):(5-4)	(-40~150°C)	100KHz, 0.1V	1-80MHz	125MHz	1-30MHz	30-60MHz	60-80MHz	5-4	2-3	1mA 60S	
TB1024G	1 : 1	300	0.5	-1.0	-3.0	-0.16	-12	-10	0.8	1.0	4300VDC	

MECHANICAL



Unless otherwise specified all tolerances are:±0.25 in mm

SCHEMATICS

