

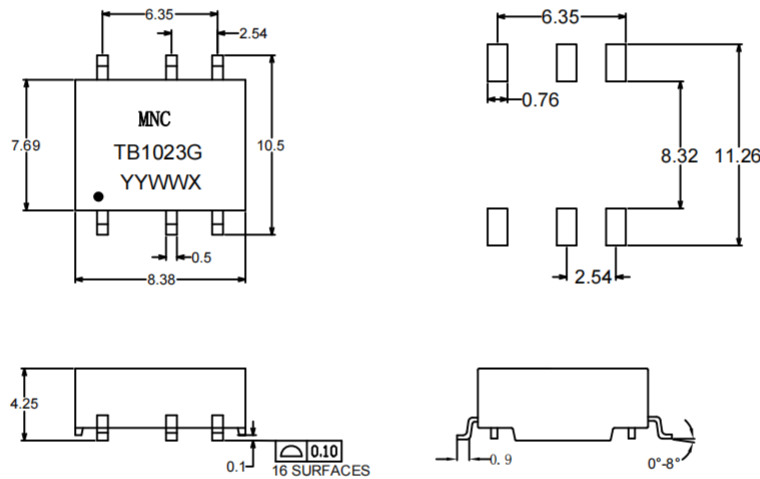
- SMT Package contains transmit transformers.
- Models matched to leading transceivers.
- RoHS Compliance.
- Operating Temperature Range: -40°C TO 150°C.
- AEC-Q200 Qualified.
- 1000V For 10 Years Operation.



Electrical Specifications @ 25°C

Part Number	Turns Ratio (±2%)	OCL (uH min)		DCR (Ω Max)		LK (uH Max)	HI-POT (Vrms)
		100KHz, 0.1V (-40~150°C)	(1-3) = (1-2)	(4-6) = (5-6)	100KHz, 0.1V, SHORT (6-4-5)	1mA 60S	
TB1023G	1:1	500	0.5	0.4	0.5	3200V DC	

MECHANICAL



Unless otherwise specified all tolerances are: ±0.25 in mm

SCHEMATICS

