




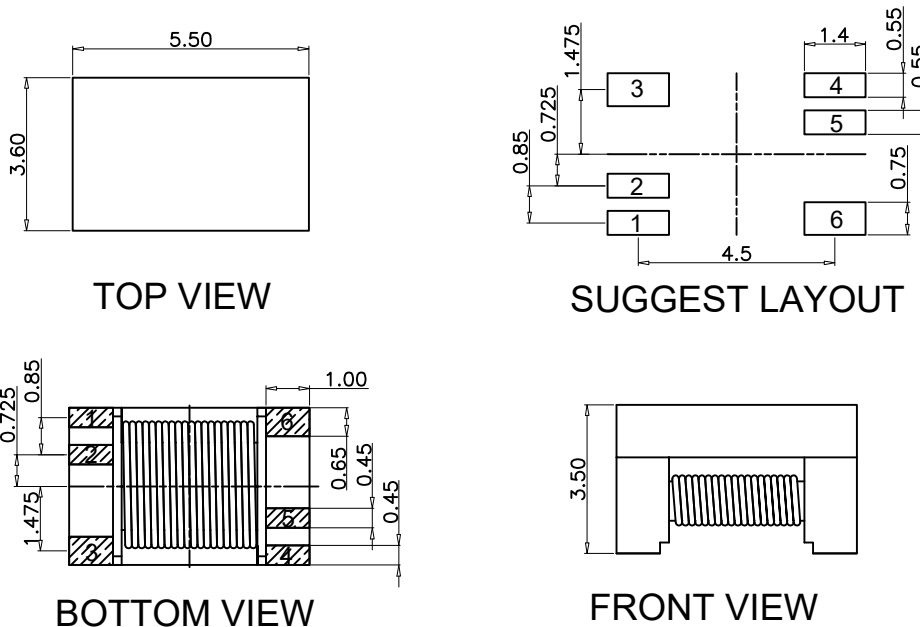


-  Meets IEEE 802.3bt Standards.
-  Designed For 2.5G BASE-T Applications, Surface Mount Type.
-  Operating Temperature Range: -40°C to +125°C. (Including temperature rise)
-  RoHS Compliant.
-  1A Current Capability.

Part Number	Electrical Specifications @25°C						
	Turns Ratio (±5%)	OCL(μH Min) @100KHz, 0.1V With 15mA DC Bias	CWW(pF Max) @100KHz, 0.1V	DCR (Ω Max)	Insertion Loss (dB Max)	Return Loss (dB Min)	HI-POT (Vrms)
QC021G00	1CT:1CT	120	35	0.8	-1.0@1-150MHz -1.2@150-200	-20@0.5-40MHz -20+15*Log(F/80)@40-150MHz	1500

MECHANICAL



Unless otherwise specified all tolerances are: ±0.25 in mm

SCHEMATICS

